

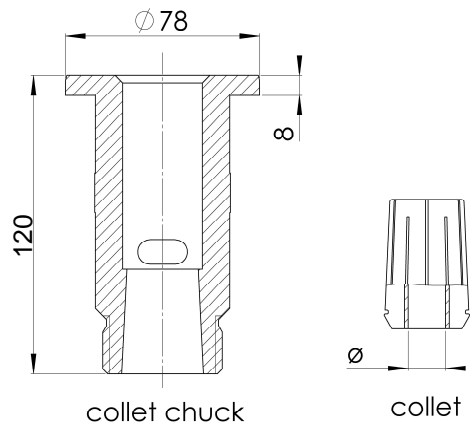


BORNEMANN

Collet chuck

Application

- Increases the applicability of the Bornemann 444 and Bornemann 440 milling motors
- Enables insertion of cutters with a cylindrical shank into the hollow shaft milling motor
- Eliminates the need for changing the milling spindle



Ordering specifications / dimensions

Article-no.	Description
BW 500.456	Collet chuck with cooling slots, for collet 2-25, inkl. 1 lock nut and 1 hook spanner
BW 500.259-S04	Collet 2-25, bore $\varnothing 4$
BW 500.259-S06	Collet 2-25, bore $\varnothing 6$
BW 500.259-S08	Collet 2-25, bore $\varnothing 8$
BW 500.259-S10	Collet 2-25, bore $\varnothing 10$
BW 500.259-S12	Collet 2-25, bore $\varnothing 12$
BW 500.259-S16	Collet 2-25, bore $\varnothing 16$
BW 500.259-S20	Collet 2-25, bore $\varnothing 20$
BW 500.259-S25	Collet 2-25, bore $\varnothing 25$

Other dimensions on request.

Technical modifications reserved. Status February 2015