



BORNEMANN

Hollow cutter V-HSC1

Applications

CNC-milling and the manufacture of:

- patterns (foundry patterns, design patterns etc.)
- sculptures
- decorations
- packagings
- and many more.

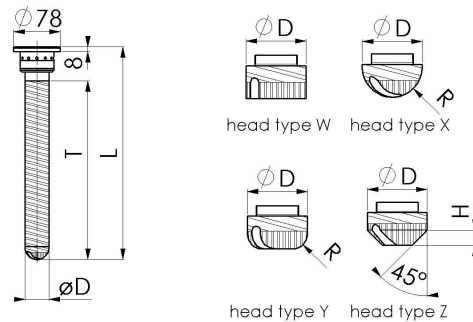
Milling materials

hard, brittle, expanded plastics:

- Polystyrene (PS, XPS) up to 50 kg/m³
- Polyurethane (PU) up to 120 kg/m³
- and others

Advantages

- Their high speed cuts milling time by up to 50%
 - increases productivity up to 100%
 - provides high planning reliability ensuring that deadlines are kept
 - assures high profit margins, even of series productions
- Superior quality finishes
 - minimise manual rework
 - provides high planning reliability ensuring quality products
- Keep close tolerances, even when milling thin ribs
 - provides high planning reliability ensuring quality products
- Continuous direct suction effectively removes chips internally through the hollow cutter by utilising a hollow-shaft motor with a suction machine (suction milling)
 - assures a high rate of chip removal
- Prevents the milling material from fusing.
 - The workpiece stays completely intact.
- Quickly exchangeable cutter tips
 - allow for the speedy change to another head type
 - ensure the user-friendly exchange of the most frequently used hollow cutter part
- Special hardening guarantees a long service life
 - ensures high economic efficiency
- Dynamically balanced
 - precise concentricity
- Also available with integrated ISO or HSK adaptor.



Ordering specifications / dimensions

Hollow cutter V-HSC 1

Article-no.	Ø D [mm]	T [mm]	L [mm]
BW 701.20.200-__	20	200	257
BW 701.20.250-__	20	250	307
BW 701.30.300-__	30	300	357
BW 701.30.350-__	30	350	407
BW 701.40.300-__	40	300	357
BW 701.40.350-__	40	350	407
BW 701.40.400-__	40	400	457
BW 701.40.450-__	40	450	507
BW 701.45.350-__	45	350	407
BW 701.45.400-__	45	400	457
BW 701.45.450-__	45	450	507
BW 701.50.350-__	50	350	407
BW 701.50.400-__	50	400	457
BW 701.50.450-__	50	450	507
BW 701.50.500-__	50	500	557
BW 701.60.350-__	60	350	407
BW 701.60.400-__	60	400	457
BW 701.60.450-__	60	450	507
BW 701.60.500-__	60	500	557

Hollow cutter tips V-HSC1 (exchangeable tips)

Article-no.	Ø D [mm]
BW 701.20-__	20
BW 701.30-__	30
BW 701.40-__	40
BW 701.45-__	45
BW 701.50-__	50
BW 701.60-__	60

Please indicate for place holder __:

1. head type W, X, Y or Z,
2. radius R or height H.

Other dimensions on request.

Technical modifications reserved. Status November 2013